

DIGITAL COUNTER

BERETTA 92 FS



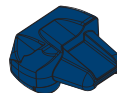
PACKAGE CONTENTS



DIGITALCOUNTER x1



Plastic support x1



Follower x2

TOOLS

*not included



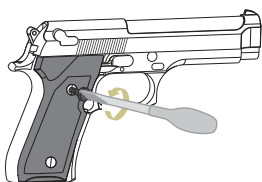
Screwdriver



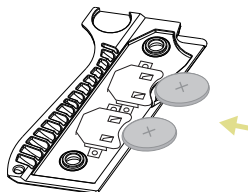
CR 2016
Battery x2

ASSEMBLY · GUN

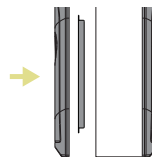
Disassemble the original grips



Assemble the batteries (Left Grip)

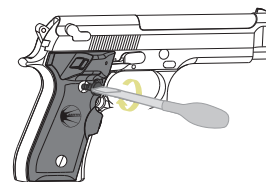


Assemble plastic support



Put the plastic support between the gun and the left grip.

Assemble DIGITALCOUNTER grips using original screws & washers



WARNING

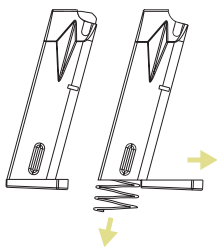
Always make sure your firearm is unloaded, no rounds in the chamber and pointed in a safe direction before you disassemble and work on it.

WARNING

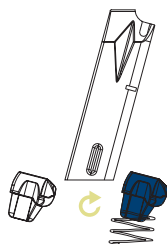
This device DOES NOT count rounds in the chamber and DOES NOT show if there is a round in the chamber. Always make sure your firearm is unloaded and with no round in the chamber.

ASSEMBLY · MAGAZINE Use only Beretta original magazines.

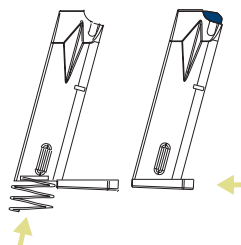
Disassemble the magazine



Remove the original follower



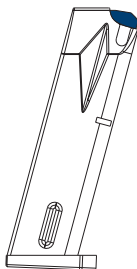
Replace it with the DIGITALCOUNTER follower



The system is ready to use



MAGAZINE CALIBRATION Use only Beretta original magazines.



CALIBRATION IS ONLY REQUIRED IF COUNT SEQUENCE IS INCORRECT.

1. ENTERING IN CALIBRATION MODE

Pushing counter button (left/right) and reset button (inside grip).

2. MAGAZINE

Load 15 cartridges in the magazine.

3. GUN

Load a cartridge in the chamber.

4. FIRE THE GUN

Shoot holding check button, keeping an interval of 2 seconds between shots.

5. EXITING CALIBRATION MODE

Automatically after last shot.

After 15 seconds timeout counting from step 1.

By pressing counter button until display shows 0.

KNOW YOUR DIGITAL COUNTER

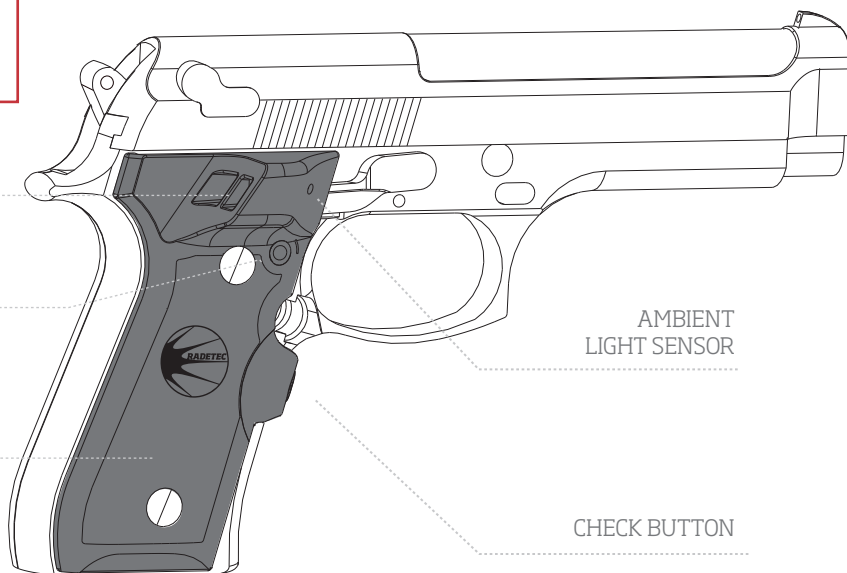
WARNING

Always make sure your firearm is unloaded, no rounds in the chamber and pointed in a safe direction before you disassemble and work on it.

DISPLAY INDICATOR

COUNTER BUTTON
(LEFT/RIGHT)

RESET BUTTON
(INSIDE GRIP)



AMBIENT
LIGHT SENSOR

CHECK BUTTON

DISPLAY ACTIVATION EVENTS

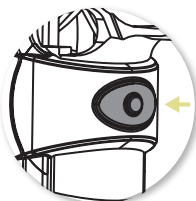
ACTIVATION

- Firing the gun.
- Pressing the check button.
- Pressing counter buttons to show the total number of shots fired.



COUNTER BUTTON

Press these buttons on both sides of the grip to show the accumulated number of shots fired.



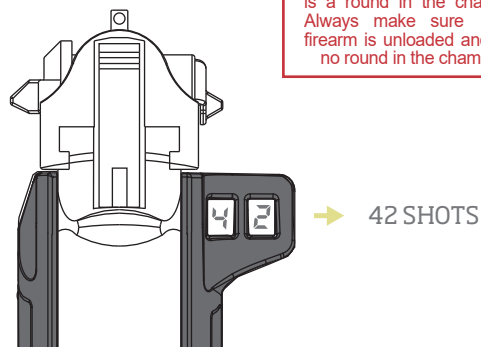
Push the check button to know the number** of cartridges in the magazine.

Display intensity is automatically adjusted depending on ambient light.

DISPLAY EXAMPLE

WARNING

This device DOES NOT count rounds in the chamber and DOES NOT show if there is a round in the chamber. Always make sure your firearm is unloaded and with no round in the chamber.



Reset shot counter: push reset button.